

M50C

50-lb Capacity Coin Dryer

Standard Features:

- 50-lb. capacity
- 18.30 cu. ft basket volume
- 150,000 Btu/hr heat input, 750 cfm airflow
- Radial airflow
- Steel door with gasketless glass
- Self diagnostic microprocessor
- Easy to clean lint drawer
- Fit through standard 36" door
- Available in gas, steam and electric heat

Optional Features:

- Stainless steel front, cabinet & basket
- Reversing basket
- F.S.S.(Fire Suppression System)

COIN



M50V Coin Dryer

Why Purchase Milnor M50V?

Engineer Driven Design That is Built to Last

Our dryers showcase an engineer-driven approach to design. Bearings are permanently lubricated on the motor and drive system. There are no chains used; rather, we use V-belts and pulleys for smooth, quiet, and trouble free operation. Our dryer cabinets are electrostatically powder-painted inside and out then baked at 420-degrees fahrenheit before final assembly - ensuring the hardest surface and the longest lasting finish in the industry.

Rugged Steel Door with Gasketless Door Glass

Our dryer doors are one solid piece of steel with gasketless glass. This eliminates the issue of glass falling out due to wear and tear on rubber gaskets that some manufacturers use to secure their glass. The security and durability that gasketless glass provides is essential to longevity.

Easy-to-Read, Multilingual Controls

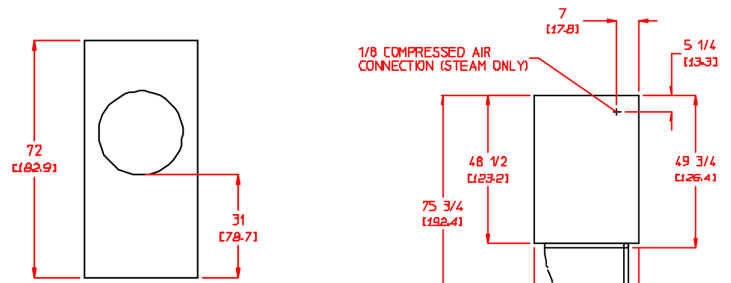
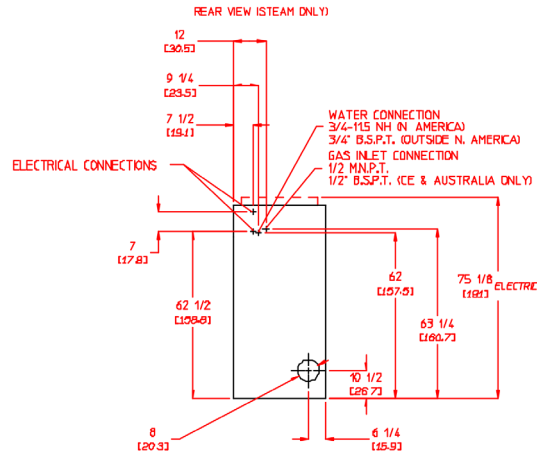
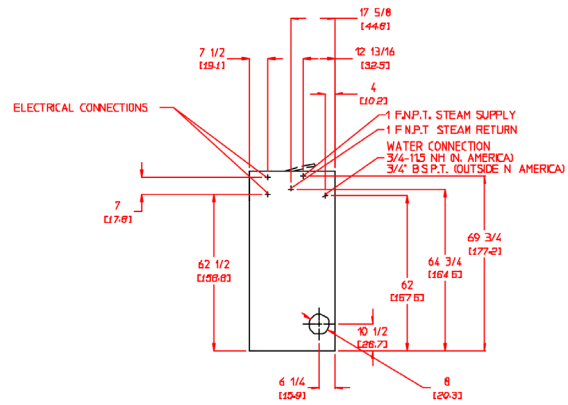
Our dryers were one of the first computer operated dryers on the market and we continue to apply innovative technology to dryer operation. Our accessible design, easy-to-read LED screens and our user friendly multilingual interface positions Milnor as a leader in the laundry industry.

Your local Milnor independent authorized distributor



M50C

| M50V Specifications | |
|---|---|
| Tumbler Capacity (dry weight) | 50 lbs. (22.68 kg) |
| Tumbler Diameter | 32-3/4" (83.19 cm) |
| Tumbler Depth | 37-1/2" (95.25 cm) |
| Tumbler Volume | 18.30 cu ft (518.20 L) |
| Tumbler/Drive Motor | nonreversing reversing |
| | 3/4 hp / 1/2 hp* (0.56 kW / 0.37 kW) |
| Blower/Fan Motor (nonreversing/reversing) | --/ 1/2 hp* (0.37 kW) |
| Door Opening (Diameter) | 21-1/2" (54.61 cm) |
| Door Sill Height | 33-1/8" (84.15 cm) |
| F.S.S. Water Connection | 3/4"-11.5 NH (North America) 3/4" B.S.P.T. (Outside North America) |
| Dryers per 20'/40' Container | 10 / 20 |
| Dryers per 48'/53' Truck | 24 / 26 |
| Width | 34-1/4" (87 cm) |
| Depth | 49-3/4" (126.4 cm) |
| Height | 72" (182.9 cm) |
| Airflow | 60 Hz 750 cfm (21.24 cmm) 50 Hz 625 cfm (17.70 cmm) |
| Exhaust Connection (Diameter) | 8" (20.32 cm) |
| GAS MODEL: | |
| Approx. Net Wt. | 651 lbs (295.29 kg) |
| Approx. Ship Wt. | 700 lbs (317.51 kg) |
| Heat Input | 150,000 btu/hr (37,799 kcal/hr) |
| Inlet Pipe Connection | 1/2" M.N.P.T.** 1/2" B.S.P.T. (CE and Australia Only) |
| ELECTRIC MODEL: | |
| Oven Size | Approx. Net Wt. 651 lbs (295.29 kg) Approx. Ship Wt. 700 lbs (317.51 kg) |
| kW | Btu/hr (kcal/hr) |
| 20 | 68,200 (17,200) |
| 24 | 81,900 (20,600) |
| 30 | 102,400 (25,800) |
| STEAM MODEL:*** | |
| Approx. Net Wt. | 683 lbs (309.80 kg) |
| Approx. Ship Wt. | 733 lbs (332.48 kg) |
| Steam Consumption | 142 lb/hr (64.41 kg/hr) |
| Operating Steam Pressure | 125 psi max (8.62 bar) |
| Boiler Horsepower (Normal Load) | 4.1 Bhp |
| Supply Connection | 1" F.N.P.T.** |
| Return Connection | 1" F.N.P.T.** |



Specifications in parentheses are metric equivalents. REV 2/24/16

** Size of piping to dryer varies with installation conditions. Contact factory for assistance.

*** Specify air-operated or electromechanical steam damper system. Air-operated steam damper system must be provided with clean, dry, and regulated 80 psi +/- 10 psi (5.51 bar +/- 0.69 bar) air supply.

Electrical Service Specifications

| SERVICE VOLTAGE | PHASE | WIRE SERVICE | APPROX AMP DRAW | | CIRCUIT BREAKER |
|-----------------|-------|--------------|-----------------|-------|-----------------|
| | | | 60 Hz | 50 Hz | |
| GAS & STEAM | | | | | |
| 100 | 1ø | 2 | 12.3 | -- | 20 |
| 120 | 1ø | 2 | 12.0 | -- | 20 |
| 208 | 1ø | 2 | 7.1 | -- | 15 |
| 220 | 1ø | 2 | 7.0 | 5.3 | 15 |
| 230 | 1ø | 2 | -- | 4.9 | 15 |
| 240 | 1ø | 3 | 6.5 | 4.2 | 15 |

Electrical Service Specifications

| SERVICE VOLTAGE | PHASE | WIRE SERVICE | APPROX AMP DRAW | | CIRCUIT BREAKER |
|-----------------|-------|--------------|-----------------|-------|-----------------|
| | | | 60 Hz | 50 Hz | |
| GAS & STEAM | | | | | |
| 208 | 3ø | 3 | 3.0 | -- | 15 |
| 220 | 3ø | 3 | 3.8 | 3.7 | 15 |
| 230 | 3ø | 3 | -- | 3.6 | 15 |
| 240 | 3ø | 3 | 3.2 | -- | 15 |
| 380 | 3ø | 4* | -- | 2.2 | 15 |
| 400 | 3ø | 4* | -- | 2.2 | 15 |
| 416 | 3ø | 4* | -- | 2.3 | 15 |
| 460 | 3ø | 3 | 2.1 | -- | 15 |

Electrical Service Specifications

| SERVICE VOLTAGE | PHASE | WIRE SERVICE | APPROX AMP DRAW | | CIRCUIT BREAKER | SERVICE VOLTAGE | PHASE | WIRE SERVICE | APPROX AMP DRAW | | CIRCUIT BREAKER |
|-----------------|-------|--------------|-----------------|-------|-----------------|-----------------|-------|--------------|-----------------|-------|-----------------|
| | | | 60 Hz | 50 Hz | | | | | 60 Hz | 50 Hz | |
| 30 kW Electric | | | | | | 20 kW Electric | | | | | |
| 208 | 3ø | 3 | 90 | -- | 125 | 208 | 1ø | 2 | 103 | -- | 150 |
| 220 | 3ø | 3 | 86 | 84 | 110 | 220 | 1ø | 2 | 96 | -- | 125 |
| 230 | 3ø | 3 | 79 | 80 | 100 | 230 | 1ø | 2 | -- | 92 | 125 |
| 240 | 3ø | 3 | 79 | -- | 100 | 240 | 1ø | 2 | 90 | -- | 125 |
| 380 | 3ø | 4* | -- | 51 | 70 | 24 kW Electric | | | | | |
| 400 | 3ø | 4* | -- | 48 | 60 | 208 | 3ø | 3 | 74 | -- | 100 |
| 416 | 3ø | 4* | -- | 47 | 60 | 220 | 3ø | 3 | 70 | -- | 90 |
| 440 | 1ø | 3 | 42 | -- | 60 | 230 | 3ø | 3 | -- | 65 | 90 |
| 460 | 3ø | 3 | 40 | -- | 50 | 240 | 3ø | 3 | 64 | -- | 90 |
| 480 | 3ø | 3 | 38 | -- | 50 | 380 | 3ø | 4* | 43 | 42 | 60 |
| 575 | 3ø | 3 | 32 | -- | 40 | 416 | 3ø | 4* | -- | 38 | 50 |
| | | | | | | 480 | 3ø | 3 | 31 | -- | 40 |



Pellerin Milnor Corporation, P.O. Box 400, Kenner, LA 70063 USA,
Phone 504.712.7656 Toll Free: 800.469.8780 Fax: 504.468.3094

www.milnor.com